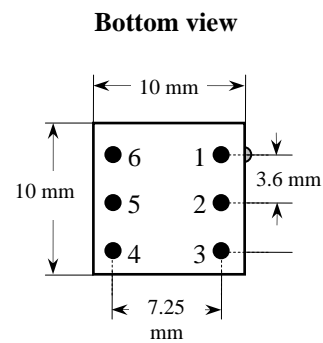
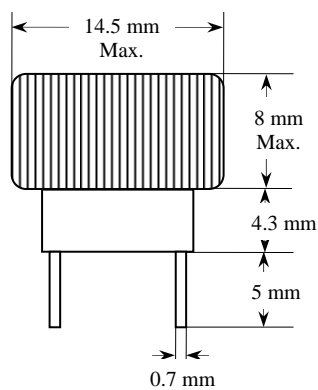
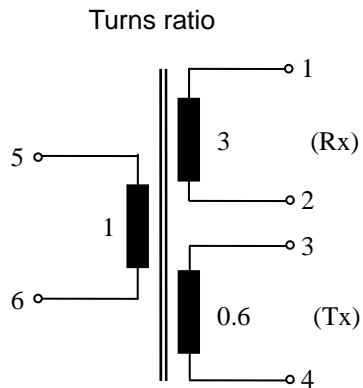


SPECIFICATIONS OF COUPLING TRANSFORMER MTN13417

Mechanical Specifications



Note: A white dot is marked on side of pin 1 for identification.

