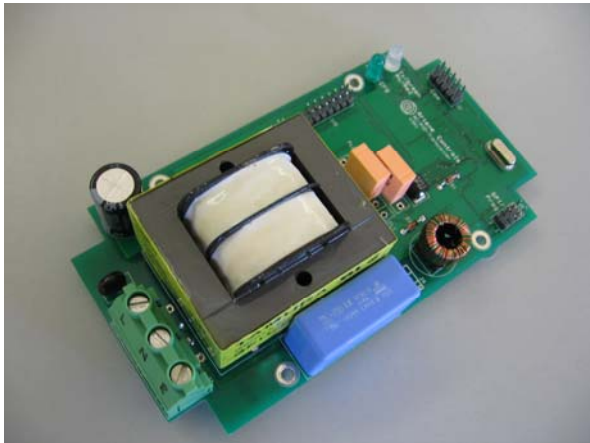


AC-MIO-RS485 Powerline Transceiver



OVERVIEW

The AC-MIO-RS485 transceiver acts as a bridge between the power line and an external device via RS-485 interface. No configuration is necessary; once the transceiver receives data by RS-485 or powerline, the device send it out at the other end.

The unit is designed as a complete powerline transceiver. It integrates the highly reliable powerline modem PLM-1, an ATmega microcontroller, a RS-485 interface, a powerful analog front end with a versatile coupling unit and the power supply.

This board features a compact design and is intended for testing the Ariane Controls technology in a wide range of powerline communication applications.

FEATURES

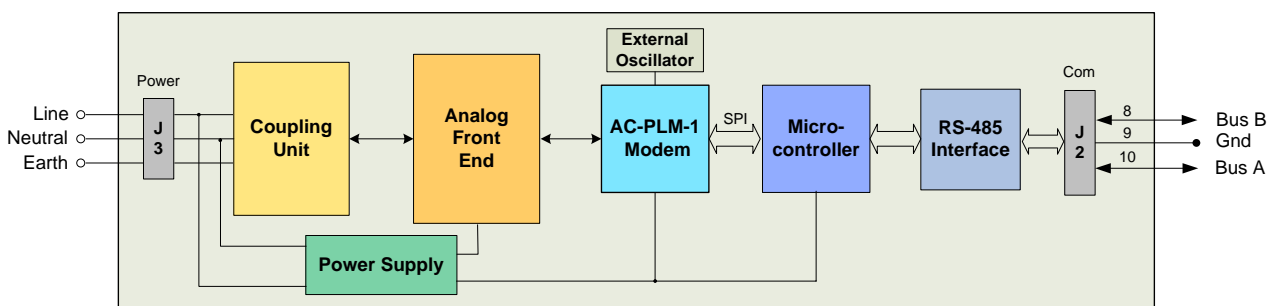
- Provides reliable powerline communication in high attenuation and noisy electrical environments
- Uses very robust narrowband FSK modulation technique including advanced processing functions
- Built-in RS-485 interface
- Includes LED indicators for CFG, CPU and Tx/Rx
- Small form factor
- Compliant with ICES-006 Industry Canada standard
- RoHS compliant

SPECIFICATIONS

- Operating voltage: 115/230VAC, 50/60Hz
- PLC frequency: 262kHz or 144kHz
- PLC bit rate: 2544bps or 2438bps
- Serial port parameters: 9600 8-N-1
- Dimensions (L x W x H): 133 x 72 x 42 mm

APPLICATION EXAMPLES

- Remote automatic meter reading
- Industrial control
- Remote diagnostic
- Building automation
- Inter-device peer-to-peer networking



AC-MIO-RS485 Powerline Transceiver Block Diagram